



BEARING HOUSING
& ACCESSORIES



J & J Engineering & Journey

25 years ago it was a revolutionary era in bearings industry & that was the time when a revolutionary company J&J Engineering rooted his feet in bearing industry with the motto of giving quality products to the end users. Being the rich experience with great exposure to the outer world & new techniques too.

J&J Engineering has played a pioneering role in the growth of bearing housings in India. It has established itself as the market and brand leader in the bearing housings industry in India. The results of the vast experience, industry knowledge & efforts in the area of research and development led to a growing number of quality products that have created new standards and new products in the bearing world. They stand for quality and engineering excellence. Their operations in Ahmedabad plant are also in accordance with other internationally accepted processes.

The company has a very strong network in dealer around the country & has built a diverse product portfolio to meet the needs of different consumer segments, ranging from standard series in cast iron to advanced high performance custom designed products in customer specific material requirements.

Customized Product

J&J Engineering being a leading manufacturer & supplier of products it also deal with customized design according to client needs so it would be the only halt for end to end solution. The solutions and services in the area comprising Plummer blocks (bearing housings), bearing accessories & housing sealing solutions. Services include technical support & maintenance services.

Field Expertise

Bulk Material Handling

Sugar Plants

Steel Plants

Textile Machineries

Industrial fans

Heavy Eng. Industries

Cement factories & many more...

Tailor Made Housing

Water cooling jackets-Its quality container filled with water that surrounds a machine to cool it; especially that surrounding the cylinder block of an engine.

Oil mist lubrication-Its Oil mist lubrication systems are becoming increasingly popular in a variety of applications where only limited oil feed supply is required; include bearings of electric motors, pumps and compressors in many oil refineries and petrochemical plants.

RTD probe provision-Probes and probe accessories are carefully designed and manufactured according to strict tolerances and specifications. The J&J E Engineering RTD probe design team uses modern tools to develop, model and engineer tailor-made probe solutions.

Vision

Become the gigantic engineering product manufacture company.

Mission

To provide the latest & quality products in bearing industry.

For our customers

Delivering industry-leading, high value products, services and knowledge-engineered solutions within shortest possible periods at best prices possible.

Quality Policy

Quality is what J&J stands for and the key to their global competitiveness. With the most advanced manufacturing facilities equipped with state-of-the-art automated machines, we guarantee to provide our customers with unparalleled quality product.

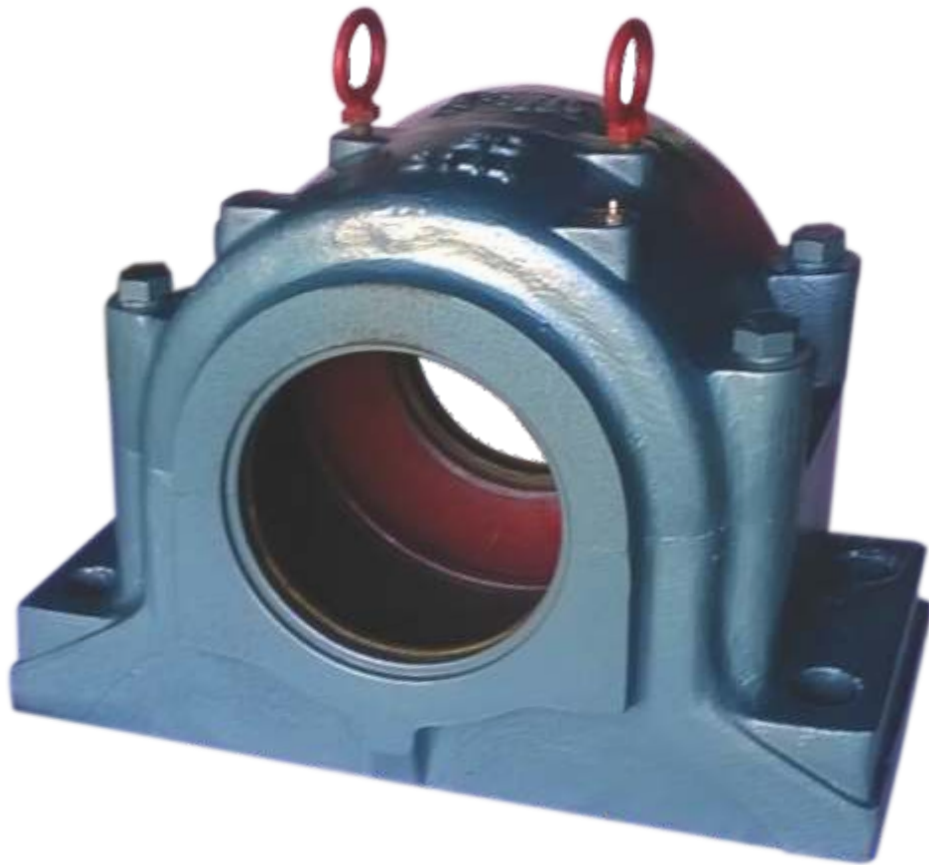
Future at J&J Engineering

Seek to provide the most high quality products in the bearing housings industry. Products designs are made for customers benefit. From the most basic features to the most sophisticated designs, the products are designed to give customers substantial value.

J&J Engineering is recognized as the new benchmark for modern bearing housings technology, superior quality and personalized service that has ensured our product and nationwide acclaim in the industry.



SD-Series



Locating Ring



End Cover



TS Ring



Teconite Seal

Basic Information for SD Series

SD series plummer block are made in cast iron or Grey Cast Iron Grade FG 200 of IS: 210, which can be made from SG Iron (SDD) or Cast Steel Castings (SDT) also for heavier loads on order.

SD series plummer block are suitable for spherical roller bearing of series 231 k with adapter sleeves for shaft dia 150 mm to 300 mm, and same are designated as SD 31... Plummer Block suitable for bearings series 230 are designated as SD 30. similarly SD 500 and 600 series plummer blocks are suitable for 22200 CCK and 22300 CCK series bearings respectively SD plummer blocks with straight bore bearing are designated with suffix G, e.g. SD 31....G.

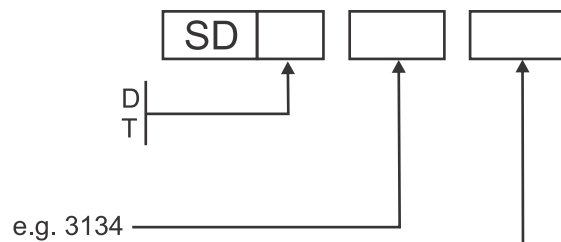
These plummer block are either supplied with tripal seal type labyrinth collars on both ends and the plummer blocks housings are designated by suffix TS or with triple seal type labyrinth collar on one end and End cover on other end for end shaft, which are designated with suffix ATS. All Labyrinth seals are supplied with rubber "O" cords and allen grub screws which ensure that the seal rotates with the shaft.

All SD series plummer block are suitable for floating loose (L) bearings it can be held or fixed (F) by inserting suitable locating rings which are supplied on orders.

Information of Designation

Basic Design : - Housing of grey cast iron
 Option : - Housing of
 - spheroidal graphite cast iron
 - cast steel

Size designation :



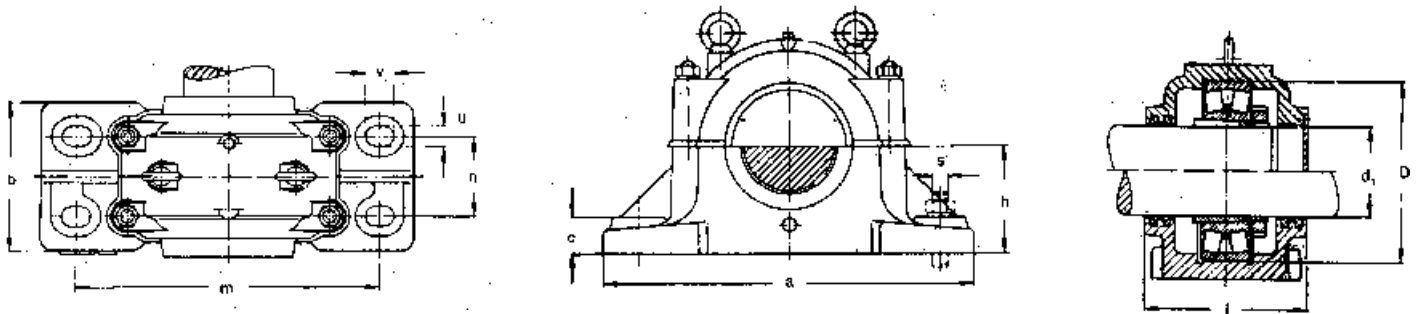
Supplementary designations

| | | |
|---|---------------|---|
| Housing for bearing with adapter sleeve (standard) | No symbol | TS = mm size shaft hole TSE = Inch size Shaft hole |
| Housing for bearing with cylindrical bore and for stepped shaft | G | |
| Housing for thought shaft (standard) | No symbol | |
| housing for shaft end, with end cover at one side | A | |
| Housing with labyrinth seals | TS (TSE / TS) | |
| Nipple hole G 1/4 thread, in housing cap | N2 | |
| Housing prepared for grease relubrication | V | |
| Housing prepared for oil lubrication | RU | |

For combinations the symbols are written in the same order as present above.

SD-Series Plummer Blocks

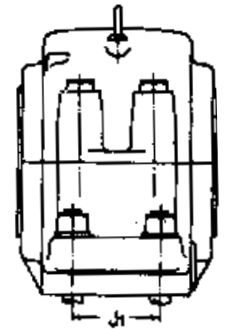
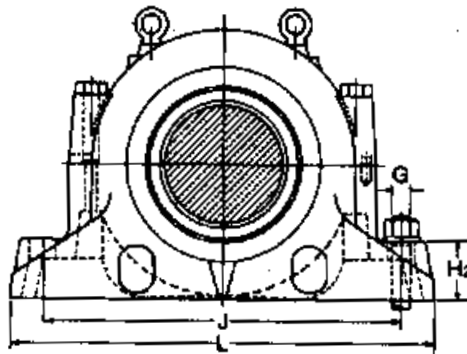
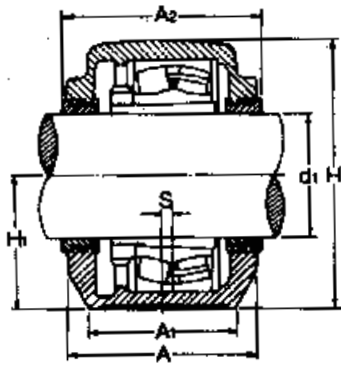
Series SD 500 and SD 600 for bearings with Adapter sleeves



| SHAFT DIA | | Housing Dimensions (mm) | | | | | | | | | | Housing Designation | Bearing and Adapter Sleeve Designation | Locating rings (size two nos. per housing) Designation |
|----------------------|-----|-------------------------|-----|------|-----|-----|-----|-----|----|----|----|---------------------|--|--|
| d ₁ mm | D | h | l | a | b | c | m | n | u | v | s | | | |
| 125 | 250 | 160 | 230 | 500 | 210 | 50 | 415 | 110 | 30 | 45 | 24 | SD 528 | 22228 ck + H 3128 | FRB 10/250 |
| 135 | 270 | 160 | 240 | 550 | 220 | 55 | 450 | 120 | 33 | 45 | 27 | SD 530 | 22230 CK + H 3130 | FRB 10/270 |
| 140 | 290 | 170 | 250 | 580 | 230 | 55 | 480 | 130 | 33 | 45 | 27 | SD 532 | 22232 CK + H 3132 | FRB 10/290 |
| 150 | 310 | 180 | 270 | 620 | 250 | 60 | 510 | 140 | 36 | 50 | 30 | SD 534 | 22234 CK + H 3134 | FRB 10/310 |
| 160 | 320 | 190 | 280 | 650 | 260 | 60 | 540 | 150 | 36 | 50 | 30 | SD 536 | 22236 CK + H 3136 | FRB 10/320 |
| 170 | 340 | 200 | 290 | 700 | 280 | 65 | 570 | 160 | 40 | 55 | 30 | SD 538 | 22238 CK + H 3138 | FRB 10/340 |
| 180 | 360 | 210 | 300 | 740 | 290 | 65 | 610 | 170 | 40 | 55 | 33 | SD 540 | 22240 CK + H 3140 | FRB 10/360 |
| 200 | 400 | 240 | 330 | 820 | 320 | 70 | 680 | 190 | 42 | 62 | 36 | SD 544 | 22244 CK + H 3144 | FRB 10/400 |
| 220 | 440 | 260 | 340 | 880 | 330 | 85 | 740 | 200 | 45 | 65 | 39 | SD 548 | 22248 CK + H 3148 | FRB 10/440 |
| 240 | 480 | 280 | 370 | 940 | 360 | 85 | 790 | 210 | 45 | 65 | 39 | SD 552 | 22252 CK + H 3152 | FRB 10/480 |
| 260 | 500 | 300 | 390 | 990 | 380 | 100 | 830 | 230 | 52 | 77 | 45 | SD 556 | 22256 CK + H 3156 | FRB 10/500 |
| 280 | 540 | 325 | 410 | 1060 | 400 | 100 | 890 | 250 | 52 | 77 | 45 | SD 560 | 22260 CK + H 3160 | FRB 10/540 |
| 300 | 580 | 355 | 440 | 1110 | 430 | 110 | 930 | 270 | 56 | 85 | 48 | SD 564 | 22264 CK + H 3164 | FRB 10/580 |
| 125 | 300 | 170 | 250 | 580 | 230 | 55 | 480 | 130 | 33 | 45 | 27 | SD 628 | 22328 CK + H 2328 | FRB 10/300 |
| 135 | 320 | 190 | 280 | 650 | 260 | 60 | 540 | 150 | 36 | 50 | 30 | SD 630 | 22330 CK + H 2330 | FRB 10/320 |
| 140 | 340 | 200 | 290 | 700 | 280 | 65 | 570 | 160 | 40 | 55 | 33 | SD 632 | 22332 CK + H 2332 | FRB 10/340 |
| 150 | 360 | 210 | 300 | 740 | 290 | 65 | 610 | 170 | 40 | 55 | 33 | SD 634 | 22334 CK + H 2334 | FRB 10/360 |
| 160 | 380 | 225 | 320 | 780 | 310 | 70 | 640 | 180 | 42 | 62 | 36 | SD 636 | 22336 CK + H 2336 | FRB 10/380 |
| 170 | 400 | 240 | 330 | 820 | 320 | 70 | 680 | 190 | 42 | 62 | 36 | SD 638 | 22238 CK + H 2338 | FRB 10/400 |
| 180 | 420 | 250 | 350 | 860 | 340 | 85 | 710 | 200 | 45 | 65 | 39 | SD 640 | 22340 CK + H 2340 | FRB 10/420 |
| 200 | 460 | 280 | 360 | 920 | 350 | 85 | 770 | 210 | 45 | 65 | 39 | SD 644 | 22344 CK + H 2344 | FRB 10/460 |
| 220 | 500 | 300 | 390 | 990 | 380 | 100 | 830 | 230 | 52 | 77 | 45 | SD 648 | 22348 CK + H 2348 | FRB 10/500 |
| 240 | 540 | 325 | 410 | 1060 | 400 | 100 | 890 | 250 | 52 | 77 | 45 | SD 652 | 22352 CK + H 2352 | FRB 10/540 |
| 260 | 580 | 355 | 440 | 1110 | 430 | 110 | 930 | 270 | 56 | 85 | 48 | SD 656 | 22356 CK + H 2356 | FRB 10/580 |

SD-Series Plummer Blocks

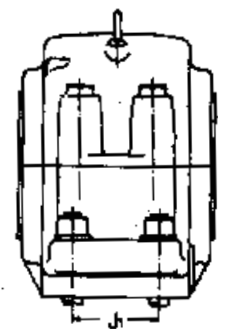
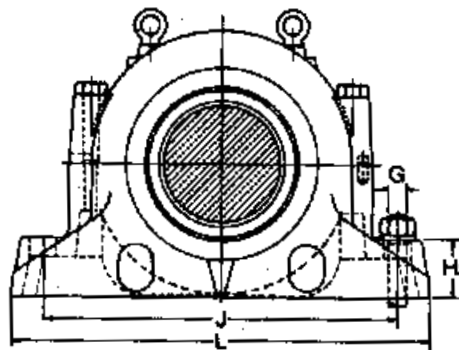
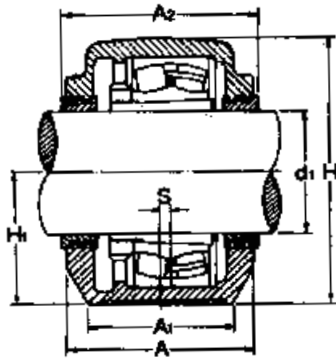
Series SD 3000 TS for bearings with Adapter sleeves



| SHAFT DIA d ₁ mm | Housing Dimensions (mm) | | | | | | | | | | | Housing with sealing Collars Designation | Bearing with Adapter Sleeve Designation | Appropriate Locating rings (2 per housing) Designation | 2 rubber O - rings (4 mm. dia) Length in mm |
|-----------------------------------|-------------------------|-----|-----|-----|-----|-----|------|------|-----|----|----|---|--|--|---|
| | A | A1 | A2 | H | H1 | H2 | L | J | J1 | G | S | | | | |
| 140 | 210 | 180 | 240 | 300 | 160 | 50 | 510 | 430 | 100 | 24 | 14 | SD 3032 TS | 23032 CK + H 3032 | FRB 10/240 | 560 |
| 150 | 230 | 180 | 240 | 310 | 160 | 60 | 510 | 430 | 100 | 24 | 14 | SD 3034 TS | 23034 CK + H 3034 | FRB 10/260 | 560 |
| 160 | 230 | 180 | 240 | 333 | 170 | 70 | 510 | 430 | 100 | 24 | 14 | SD 3036 TS | 23036 CK + H 3036 | FRB 10/280 | 560 |
| 170 | 240 | 190 | 250 | 353 | 180 | 75 | 530 | 450 | 110 | 24 | 15 | SD 3038 TS | 23038 CK + H 3038 | FRB 10/290 | 590 |
| 180 | 260 | 210 | 270 | 375 | 190 | 80 | 560 | 480 | 120 | 24 | 10 | SD 3040 TS | 23040 CK + H 3040 | FRB 10/310 | 620 |
| 200 | 280 | 230 | 290 | 411 | 210 | 85 | 610 | 510 | 130 | 30 | 10 | SD 3044 TS | 23044 CK + H 3044 | FRB 10/340 | 680 |
| 220 | 290 | 240 | 300 | 434 | 220 | 90 | 640 | 540 | 140 | 30 | 12 | SD 3048 TS | 23048 CK + H 3048 | FRB 10/360 | 750 |
| 240 | 310 | 260 | 320 | 475 | 240 | 95 | 700 | 600 | 150 | 30 | 12 | SD 3052 TS | 23052 CK + H 3052 | FRB 10/400 | 810 |
| 260 | 320 | 280 | 330 | 516 | 260 | 100 | 770 | 650 | 160 | 36 | 13 | SD 3056 TS | 23056 CK + H 3056 | FRB 10/420 | 870 |
| 280 | 320 | 280 | 330 | 550 | 280 | 105 | 790 | 670 | 160 | 36 | 16 | SD 3060 TS | 23060 CK + H 3060 | FRB 10/460 | 940 |
| 300 | 350 | 310 | 360 | 590 | 300 | 110 | 830 | 710 | 190 | 36 | 22 | SD3064 TS | 23064 CK + H 3064 | FRB 10/480 | 1000 |
| 320 | 370 | 330 | 380 | 630 | 320 | 115 | 880 | 750 | 200 | 36 | 23 | SD 3068 TS | 23068 CK + H 3068 | FRB 10/520 | 1070 |
| 340 | 370 | 330 | 380 | 630 | 320 | 115 | 880 | 750 | 200 | 36 | 23 | SD 3072 TS | 23072 CK + H 3072 | FRB 10/540 | 1130 |
| 360 | 400 | 360 | 410 | 675 | 340 | 120 | 950 | 810 | 220 | 36 | 24 | SD 3076 TS | 23076 CK + H 3076 | FRB 10/560 | 1190 |
| 380 | 400 | 360 | 410 | 695 | 350 | 120 | 1000 | 840 | 220 | 36 | 30 | SD 3080 TS | 23080 CK + H 3080 | FRB 10/600 | 1260 |
| 400 | 400 | 360 | 410 | 715 | 360 | 120 | 1040 | 870 | 220 | 36 | 30 | SD 3084 TS | 23084 CK + H 3084 | FRB 10/620 | 1320 |
| 410 | 430 | 390 | 440 | 775 | 380 | 125 | 1120 | 950 | 240 | 42 | 30 | SD 3088 TS | 23088 CK + H 3088 | FRB 10/650 | 1380 |
| 430 | 460 | 420 | 470 | 810 | 410 | 130 | 1170 | 1000 | 260 | 42 | 35 | SD 3092 TS | 23092 CK + H 3092 | FRB 10/680 | 1450 |

SD-Series Plummer Blocks

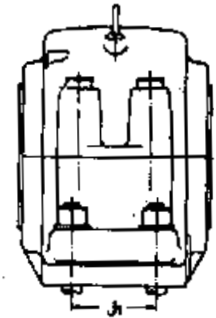
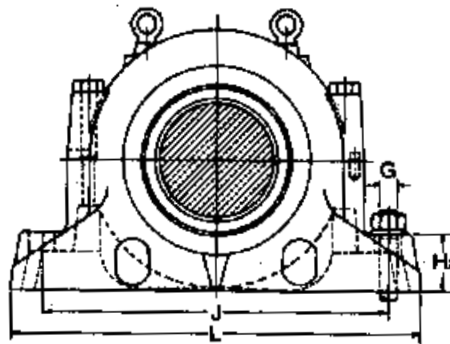
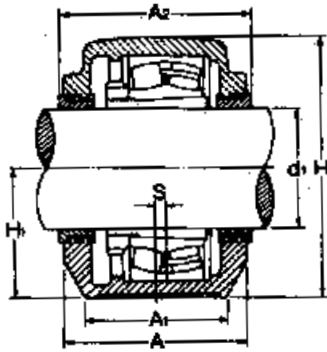
Series SD 3100 TS for bearings with Adapter sleeves



| SHAFT DIA d_1 mm | Housing Dimensions (mm) | | | | | | | | | | | Housing with sealing Collars Designation | Bearing with Adapter Sleeve Designation | Appropriate Locating rings (2 per housing) Designation | 2 rubber O - rings (4 mm. dia) Length in mm |
|-----------------------------|-------------------------|-----|-----|-----|-----|-----|------|------|-----|----|----|--|---|---|---|
| | A | A1 | A2 | H | H1 | H2 | L | J | J1 | S | G | | | | |
| 150 | 230 | 180 | 240 | 333 | 170 | 70 | 510 | 430 | 100 | 14 | 24 | SD 3134 TS | 23134 CK + H 3134 | FRB 10/280 | 530 |
| 160 | 240 | 190 | 250 | 353 | 180 | 75 | 530 | 450 | 110 | 15 | 24 | SD 3136 TS | 23136 CK + H 3136 | FRB 10/300 | 560 |
| 170 | 260 | 210 | 270 | 375 | 190 | 80 | 560 | 480 | 120 | 10 | 24 | SD 3138 TS | 23138 CK + H 3138 | FRB 10/320 | 590 |
| 180 | 280 | 230 | 290 | 411 | 210 | 85 | 610 | 510 | 130 | 10 | 30 | SD 3140 TS | 23140 CK + H 3140 | FRB 10/340 | 620 |
| 200 | 290 | 240 | 300 | 434 | 220 | 90 | 640 | 540 | 140 | 12 | 30 | SD 3144 TS | 23144 CK + H 3144 | FRB 10/370 | 680 |
| 220 | 310 | 260 | 320 | 474 | 240 | 95 | 700 | 600 | 150 | 12 | 30 | SD 3148 TS | 23148 CK + H 3148 | FRB 10/400 | 750 |
| 240 | 320 | 280 | 330 | 516 | 260 | 100 | 770 | 650 | 160 | 13 | 36 | SD 3152 TS | 23152 CK + H 3152 | FRB 10/440 | 810 |
| 260 | 320 | 280 | 330 | 551 | 280 | 105 | 790 | 670 | 160 | 16 | 36 | SD 3156 TS | 23156 CK + H 3156 | FRB 10/460 | 870 |
| 280 | 350 | 310 | 360 | 591 | 300 | 110 | 830 | 710 | 190 | 22 | 36 | SD 3160 TS | 23160 CK + H 3160 | FRB 10/500 | 940 |
| 300 | 370 | 330 | 380 | 631 | 320 | 115 | 880 | 750 | 200 | 23 | 36 | SD 3164 TS | 23164 CK + H 3164 | FRB 10/540 | 1000 |
| 320 | 400 | 360 | 410 | 675 | 340 | 120 | 950 | 810 | 220 | 24 | 36 | SD 3168 TS | 23168 CK + H 3168 | FRB 10/580 | 1060 |
| 340 | 400 | 360 | 410 | 695 | 350 | 120 | 1000 | 840 | 220 | 30 | 36 | SD 3172 TS | 23172 CK + H 3172 | FRB 10/600 | 1130 |
| 360 | 400 | 360 | 410 | 715 | 360 | 120 | 1040 | 870 | 220 | 30 | 36 | SD 3176 TS | 23176 CK + H 3176 | FRB 10/620 | 1190 |
| 380 | 430 | 390 | 440 | 775 | 380 | 125 | 1120 | 950 | 240 | 30 | 42 | SD 3180 TS | 23180 CK + H 3180 | FRB 10/650 | 1260 |
| 400 | 460 | 420 | 470 | 810 | 410 | 130 | 1170 | 1000 | 260 | 35 | 42 | SD 3184 TS | 23184 CK + H 3184 | FRB 10/700 | 1320 |

SD-Series Plummer Blocks

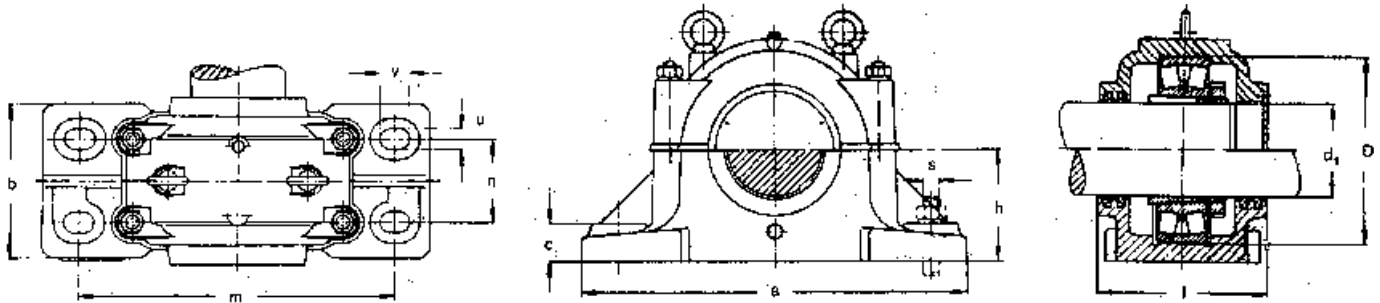
Series SD 3200 TS for bearings with Adapter sleeves



| SHAFT DIA d ₁ mm | Housing Dimensions (mm) | | | | | | | | | | | Housing with sealing Collars Designation | Bearing with Adapter Sleeve Designation | Appropriate Locating rings (2 per housing) Designation | 2 rubber O - rings (4 mm. dia) Length in mm |
|--------------------------------------|-------------------------|-----|-----|-----|-----|-----|------|------|-----|----|----|--|---|---|---|
| | A | A1 | A2 | H | H1 | H2 | L | J | J1 | G | S | | | | |
| 150 | 260 | 210 | 270 | 375 | 190 | 80 | 560 | 480 | 120 | 24 | 10 | SD 3234 TS | 23234 CK + H 2334 | FRB 10/310 | 530 |
| 160 | 260 | 210 | 270 | 375 | 190 | 80 | 560 | 480 | 120 | 24 | 10 | SD 3236 TS | 23236 CK + H 2336 | FRB 10/320 | 560 |
| 170 | 280 | 230 | 290 | 411 | 210 | 85 | 610 | 510 | 130 | 30 | 10 | SD 3238 TS | 23238 CK + H 2338 | FRB 10/340 | 590 |
| 180 | 290 | 240 | 300 | 434 | 220 | 90 | 640 | 540 | 140 | 30 | 12 | SD 3240 TS | 23240 CK + H 2340 | FRB 10/360 | 620 |
| 200 | 310 | 260 | 320 | 474 | 240 | 95 | 700 | 600 | 150 | 30 | 12 | SD 3244 TS | 23244 CK + H 2344 | FRB 10/400 | 680 |
| 220 | 320 | 280 | 330 | 516 | 260 | 100 | 770 | 650 | 160 | 36 | 13 | SD 3248 TS | 23248 CK + H 2348 | FRB 10/440 | 750 |
| 240 | 350 | 310 | 360 | 591 | 300 | 110 | 830 | 710 | 190 | 36 | 22 | SD 3252 TS | 23252 CK + H 2352 | FRB 10/480 | 810 |
| 260 | 350 | 310 | 360 | 591 | 300 | 110 | 830 | 710 | 190 | 36 | 22 | SD 3256 TS | 23256 CK + H 2356 | FRB 10/500 | 870 |
| 280 | 370 | 330 | 380 | 631 | 320 | 115 | 880 | 750 | 200 | 36 | 23 | SD 3260 TS | 23260 CK + H 3260 | FRB 10/540 | 940 |
| 300 | 400 | 360 | 410 | 675 | 340 | 120 | 950 | 810 | 220 | 36 | 24 | SD 3264 TS | 23264 CK + H 3264 | FRB 10/580 | 1000 |
| 320 | 400 | 360 | 410 | 715 | 360 | 120 | 1040 | 870 | 220 | 36 | 30 | SD 3268 TS | 23268 CK + H 3268 | FRB 10/620 | 1060 |
| 340 | 430 | 390 | 440 | 775 | 380 | 125 | 1120 | 950 | 240 | 42 | 30 | SD 3272 TS | 23272 CK + H 3272 | FRB 10/650 | 1130 |
| 360 | 460 | 420 | 470 | 810 | 410 | 130 | 1170 | 1000 | 260 | 42 | 35 | SD 3276 TS | 23276 CK + H 3276 | FRB 10/680 | 1190 |

SD-Series Plummer Blocks

Series SD 3300 for bearings with Adapter sleeves



| SHAFT DIA d ₁ mm | Housing Dimensions (mm) | | | | | | | | | | | Housing Designation | Bearing with Adapter Sleeve Designation | Locating rings (to be 2 ordered Separately) Designation |
|--------------------------------------|-------------------------|-----|-----|------|-----|-----|-----|-----|----|----|------|------------------------|---|--|
| | D | h | l | a | b | c | m | n | u | v | s | | | |
| 150 | 260 | 160 | 235 | 540 | 190 | 50 | 450 | 110 | 28 | 38 | M 24 | SD 3334 | 23034 CK + H 3034 | FRB 10/260 |
| 160 | 280 | 170 | 250 | 560 | 200 | 55 | 470 | 120 | 32 | 42 | M 30 | SD 3336 | 23036 CK + H 3036 | FRB 10/280 |
| 170 | 290 | 170 | 260 | 580 | 220 | 55 | 480 | 130 | 32 | 42 | M 30 | SD 3338 | 23038 CK + H 3038 | FRB 10/290 |
| 180 | 310 | 180 | 270 | 620 | 230 | 60 | 510 | 140 | 32 | 52 | M 30 | SD 3340 | 23040 CK + H 3040 | FRB 10/310 |
| 200 | 340 | 200 | 290 | 700 | 260 | 65 | 570 | 160 | 35 | 55 | M 30 | SD 3344 | 23044 CK + H 3044 | FRB 10/340 |
| 220 | 360 | 210 | 300 | 740 | 270 | 65 | 610 | 170 | 35 | 55 | M 30 | SD 3348 | 23048 CK + H 3048 | FRB 10/360 |
| 240 | 400 | 240 | 330 | 820 | 300 | 70 | 680 | 190 | 40 | 60 | M 36 | SD 3352 | 23052 CK + H 3052 | FRB 10/400 |
| 260 | 420 | 250 | 350 | 860 | 320 | 85 | 710 | 200 | 42 | 62 | M 36 | SD 3356 | 23056 CK + H 3056 | FRB 10/420 |
| 280 | 460 | 280 | 360 | 920 | 330 | 85 | 770 | 210 | 42 | 62 | M 36 | SD 3360 | 23060 CK + H 3060 | FRB 10/460 |
| 300 | 480 | 280 | 370 | 940 | 340 | 85 | 790 | 210 | 42 | 62 | M 36 | SD 3364 | 23064 CK + H 3064 | FRB 10/480 |
| 320 | 520 | 310 | 400 | 1020 | 370 | 100 | 860 | 230 | 50 | 70 | M 42 | SD 3368 | 23068 CK + H 3068 | FRB 10/520 |
| 340 | 540 | 325 | 410 | 1060 | 390 | 100 | 890 | 250 | 50 | 70 | M 42 | SD 3372 | 23072 CK + H 3072 | FRB 10/540 |
| 360 | 560 | 340 | 410 | 1080 | 390 | 100 | 900 | 260 | 50 | 70 | M 42 | SD 3376 | 23076 CK + H 3076 | FRB 10/560 |