



BEARING HOUSING
& ACCESSORIES



J & J Engineering & Journey

25 years ago it was a revolutionary era in bearings industry & that was the time when a revolutionary company J&J Engineering rooted his feet in bearing industry with the motto of giving quality products to the end users. Being the rich experience with great exposure to the outer world & new techniques too.

J&J Engineering has played a pioneering role in the growth of bearing housings in India. It has established itself as the market and brand leader in the bearing housings industry in India. The results of the vast experience, industry knowledge & efforts in the area of research and development led to a growing number of quality products that have created new standards and new products in the bearing world. They stand for quality and engineering excellence. Their operations in Ahmedabad plant are also in accordance with other internationally accepted processes.

The company has a very strong network in dealer around the country & has built a diverse product portfolio to meet the needs of different consumer segments, ranging from standard series in cast iron to advanced high performance custom designed products in customer specific material requirements.

Customized Product

J&J Engineering being a leading manufacturer & supplier of products it also deal with customized design according to client needs so it would be the only halt for end to end solution. The solutions and services in the area comprising Plummer blocks (bearing housings), bearing accessories & housing sealing solutions. Services include technical support & maintenance services.

Field Expertise

Bulk Material Handling

Sugar Plants

Steel Plants

Textile Machineries

Industrial fans

Heavy Eng. Industries

Cement factories & many more...

Tailor Made Housing

Water cooling jackets-Its quality container filled with water that surrounds a machine to cool it; especially that surrounding the cylinder block of an engine.

Oil mist lubrication-Its Oil mist lubrication systems are becoming increasingly popular in a variety of applications where only limited oil feed supply is required; include bearings of electric motors, pumps and compressors in many oil refineries and petrochemical plants.

RTD probe provision-Probes and probe accessories are carefully designed and manufactured according to strict tolerances and specifications. The J&J E Engineering RTD probe design team uses modern tools to develop, model and engineer tailor-made probe solutions.

Vision

Become the gigantic engineering product manufacture company.

Mission

To provide the latest & quality products in bearing industry.

For our customers

Delivering industry-leading, high value products, services and knowledge-engineered solutions within shortest possible periods at best prices possible.

Quality Policy

Quality is what J&J stands for and the key to their global competitiveness. With the most advanced manufacturing facilities equipped with state-of-the-art automated machines, we guarantee to provide our customers with unparalleled quality product.

Future at J&J Engineering

Seek to provide the most high quality products in the bearing housings industry. Products designs are made for customers benefit. From the most basic features to the most sophisticated designs, the products are designed to give customers substantial value.

J&J Engineering is recognized as the new benchmark for modern bearing housings technology, superior quality and personalized service that has ensured our product and nationwide acclaim in the industry.

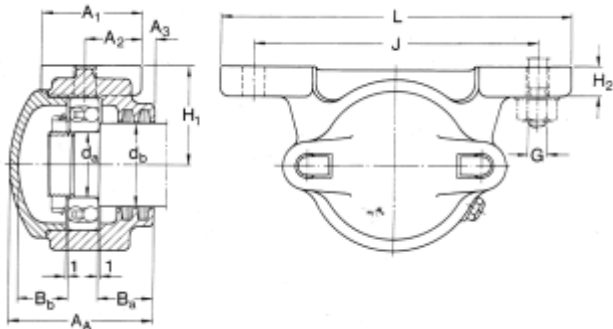


TVN-Series

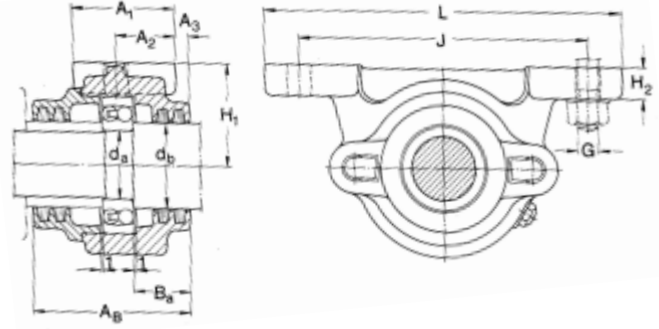


Felt Seal

TVN Housings for bearings with cylindrical bore
 d_a 20-75 mm



Housing for shaft end
A design



Housing for shaft end
B design

SHAFT DIA		Housing Dimensions (mm)											Designations Housings for shaft end	Appropriate Bearing	Felt Strip ¹⁾	Appropriate accessories ²⁾		
d_a	d_b	A_A	A_B	A_1	A_2	A_3	B_a	B_b	H_1	H_2	J	L				G	Lock nut	Locking washer
mm	mm																	
20	25	61	68	45	25	6	23.5	19	35	14	110	150	12	TVN 204	1204 E	FS 190	KM 4	MB 4
25	30	63	71	45	25	7	24	19	40	16	130	170	12	TVN 205 TVN 305	1205 E	FS 190	KM 5	MB 5
	30	71	-	52	30	7	26.5	23	50	16	150	190	12		1305 E 21305 CC			
30	35	71	76	52	30	7	27	23	50	16	150	190	12	TVN 206 TVN 306	1206 E	FS 190	KM 6	MB 6
	40	77	78	52	30	8	27.5	25	50	18	150	190	12		1306 E 21306 CC			
35	45	77	78	52	30	8	28.5	26	50	18	150	190	12	TVN 207 TVN 307	1207 E	FS 190	KM 7	MB 7
	45	86	92	60	35	8	31.5	28	60	18	170	210	12		1307 E 21307 CC			
40	50	86	92	60	35	8	33	30	60	18	170	210	12	TVN 208 TVN 308	1208 E	FS 260	KM 8	MB 8
	50	90	94	60	35	8	32.5	29	60	20	170	210	12		1308 E 21308 CC			
45	55	87	92	60	35	8	32	31	60	20	170	210	12	TVN 209 TVN 309	1209 E	FS 260	KM 9	MB 9
	55	95	100	70	40	8	32.5	31	70	23	210	270	16		1309 E 21309 CC			
50	60	90	94	60	35	8	34	31	60	20	170	210	12	TVN 210 TVN 310	1210 E	FS 260	KM 10	MB 10
	60	102	105	70	40	10	36.5	32	70	23	210	270	16		1310 E 21310 CC			
55	65	95	100	70	40	8	34.5	33	70	23	210	270	16	TVN 211 TVN 311	1211 E	FS 260	KM 11	MB 11
	65	110	115	80	45	10	37.5	36	80	25	230	290	16		1311 E 21311 CC			
60	70	102	105	70	40	10	39	35	70	23	210	270	16	TVN 212 TVN 312	1212 E	FS 330	KM 12	MB 12
	70	115	117	80	45	10	38.5	38	80	25	230	290	16		1312 E 21312 CC			
65	75	110	115	80	45	10	40.5	39	80	25	230	290	16	TVN 213 TVN 313	1213 E	FS 330	KM 13	MB 13
	75	122	127	90	50	12	42.5	38	95	28	260	330	20		1313 E 21313 CC			
70	80	111	115	80	45	10	40.5	40	80	25	230	290	16	TVN 214 TVN 314	1214 E	FS 330	KM 14	MB 14
	80	126	129	90	50	12	43.5	39	95	28	260	330	20		1314 E 21314 CC			
75	85	115	117	80	45	10	41.5	41	80	25	230	290	16	TVN 215 TVN 315	1215 E	FS 330	KM 15	MB 15
	85	136	139	100	55	13	47.5	43	100	30	290	360	20		1215 E 21315 CC			
80	90	122	127	90	50	12	46	41.5	95	28	260	330	20	TVN 216	1216 E	FS 330	KM 16	MB 16
85	95	126	129	90	50	12	47	42.5	95	28	260	330	20	TVN 217	1217 E	FS 330	KM 17	MB 17
90	100	136	139	100	55	13	51	46.5	100	30	290	360	20	TVN 218	1218 E	FS 330	KM 18	MB 18

Basic Information for 7225 Series

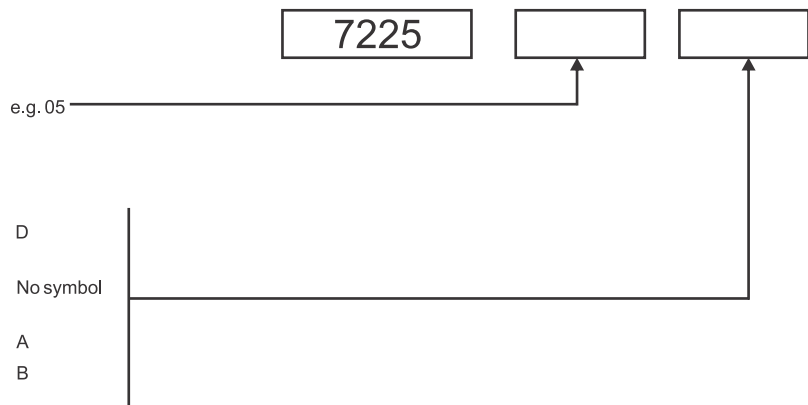
Flanged housings of series 7225(00) are intended for use with self-aligning ball bearings of series 12 K and 22 K and spherical roller bearings of series 222 K on adapter sleeves. They are available for shaft diameters from 20 to 100 mm. The housings are produced in two designs depending on size. The smaller sizes upto and including size 13 are triangular and the larger sizes have a square form. The bearing seating in the housing is designed for non-locating bearing arrangements. Locating bearing arrangements can be obtained by inserting locating rings between the bearing outer ring and the housing shoulder.

Materials : The flanged housings are manufactured in grey cast iron.

Basic Designation

Basic design :

Size designation :



Supplementary designation

Triangular housing for shaft diameter range 20-60 mm

Square - Shaped housing for shaft diameter range 65 -100 mm

Housing for shaft end, with end cover

Housing for through shaft

For combination the symbols are written in the same order as presented above.